

GSTIN : 22AUFPA8634F1Z1

AMAR JYOTI

MACHINERY CORPORATION



4, MAIN BILASPUR ROAD, BHANPURI CHOWK, BHANPURI, RAIPUR-493221, CHHATTISGARH (IND)

Mo.: +91-9522015586; +91-9522015584

AMAR JYOTI MACHINERY

INDUSTRIAL MACHINERY

Visit At: WWW.AMARJYOTIMACHINERY.COM Email : raipur.amarjyoti@gmail.com

MANUAL PIPE BENDING BIG RADIUS 50mm

ROUND PIPE
SQUARE PIPE

AND
STRIP



LARGE RADIUS HYDRAULIC FOOT MOUNTED JACK

Model	MATERIAL	OPERATED	ROUND PIPE	SQUARE PIPE	STRIP
MJB50	M.S AND S.S	HAND MANUAL WITH FOOT JACK PADDLE	1/2" , 3/4" , 1" , 1 1/4" , 1 1/2" , 2"	1" x 1" , 2" x 1" , 2" x 2" , 2" x 1 1/2" , 2 1/2" x 1"	1/2" TO 2"

GSTIN : 22AUFPA8634F1Z1

AMAR JYOTI

MACHINERY CORPORATION



4, MAIN BILASPUR ROAD, BHANPURI CHOWK, BHANPURI, RAIPUR-493221, CHHATTISGARH (IND)

Mo.: +91-9522015586; +91-9522015584

AMAR JYOTI MACHINERY

INDUSTRIAL MACHINERY

Visit At: WWW.AMARJYOTIMACHINERY.COM Email : raipur.amarjyoti@gmail.com

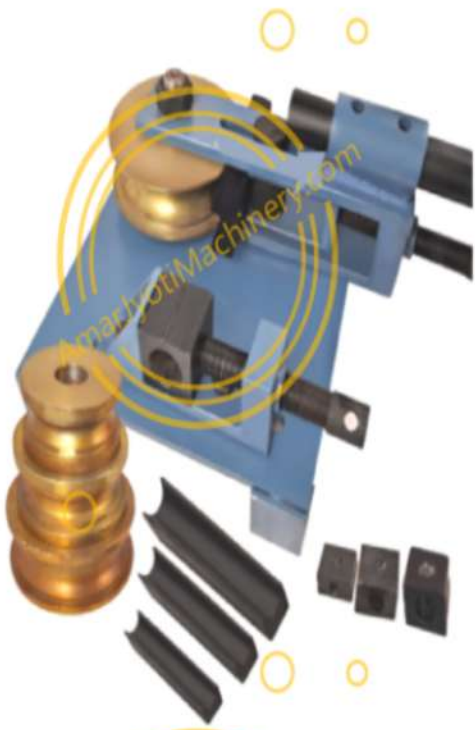
MANUAL PIPE BENDING BIG RADIUS 50mm

ROUND PIPE AND SQUARE PIPE



LARGE RADIUS HYDRAULIC
FOOT MOUNTED JACK
HEAVY DUTY MODEL WITH
OUTER DIE
EASY TO CHANGE DIE

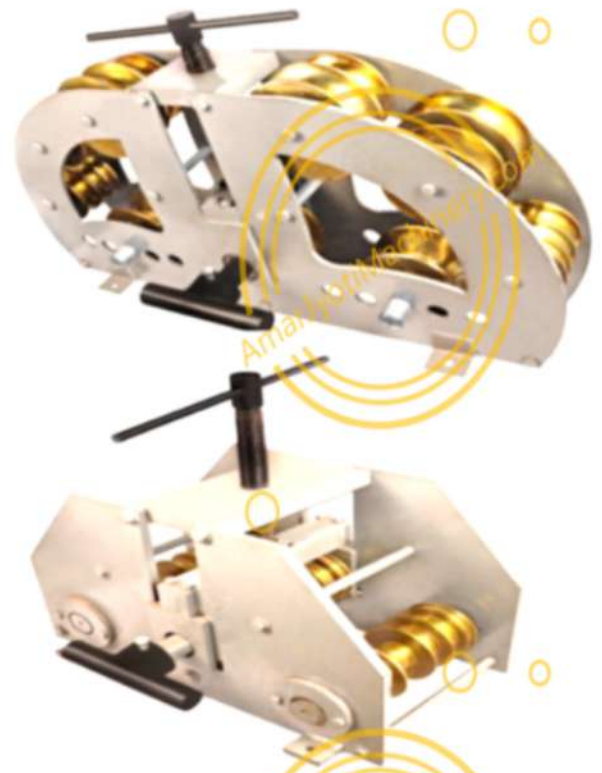
Model	MATERIAL	OPERATED	ROUND PIPE	SQUARE PIPE
MJB50 -HD	M.S AND S.S	HAND MANUAL WITH FOOT JACK PADDLE	1/2" , 3/4" , 1" , 1 1/4" , 1 1/2" , 2"	1" x 1" , 2" x 1" , 2" x 2" , 2" x 1 1/2" , 2 1/2" x 1"



PIPE BENDING 32MM



TUBE ROLLER BENDER



PIPE BENDING 50MM



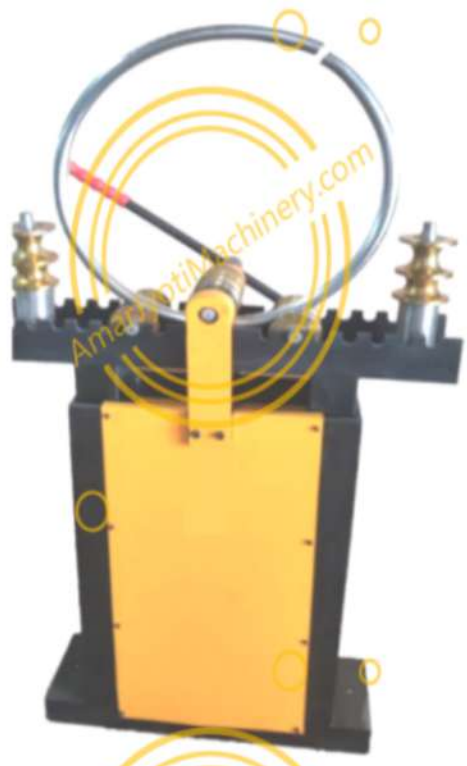
HYDRAULIC 80MM



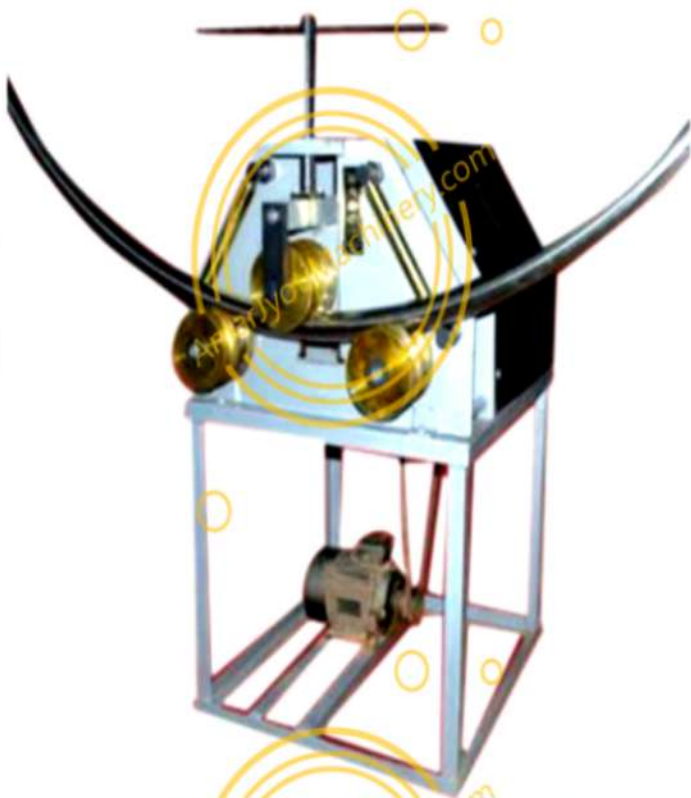
AUTOMATIC HYDRAULIC 80MM



ANGLE BENDING 50MM



PIPE BENDING 32MM



MOTERISED BENDING 50MM



TABLE TYPE MOTERISED BENDING 50MM



AUTOMATIC 32MM



ANGLE BENDING HEAVY 100MM

